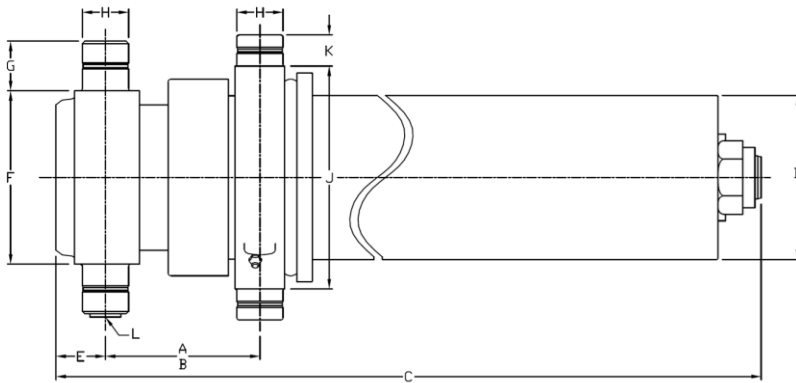


**Technical information**



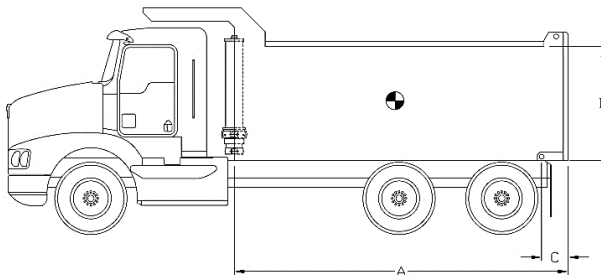
| Dimensions | Imperial  | Metric   |
|------------|-----------|----------|
| A (stroke) | 110,00 in | 2 794 mm |
| B (closed) | 5,25 in   | 133 mm   |
| C          | 52,75 in  | 1 340 mm |
| D          | 5,56 in   | 141 mm   |
| E          | 2,00 in   | 51 mm    |
| F          | 5,75 in   | 146 mm   |
| G          | 2,00 in   | 51 mm    |
| H          | 1,88 in   | 48 mm    |
| J          | 8,00 in   | 203 mm   |
| K          | 1,25 in   | 32 mm    |
| L          | SAE-12    |          |

| Stage | Effective diameter |        | Effective area        |                       | Stroke   |          |
|-------|--------------------|--------|-----------------------|-----------------------|----------|----------|
| 1     | 4,250 in           | 108 mm | 14,19 in <sup>2</sup> | 9 152 mm <sup>2</sup> | 39,63 in | 1 006 mm |
| 2     | 3,500 in           | 89 mm  | 9,62 in <sup>2</sup>  | 6 207 mm <sup>2</sup> | 40,13 in | 1 019 mm |
| 3     | 2,750 in           | 70 mm  | 5,94 in <sup>2</sup>  | 3 832 mm <sup>2</sup> | 30,25 in | 768 mm   |

| Specifications                  | Imperial      | Metric    |
|---------------------------------|---------------|-----------|
| Weight without hydraulic fluid  | 248 lb        | 113 kg    |
| Hydraulic fluid volume          | 5,6 gal. (US) | 21 l      |
| Maximum working pressure        | 2 750 psi     | 190 bar   |
| Maximum pump flow               | 25 gpm        | 95 lpm    |
| Cylinder design limit capacity* | 23,4 US tons  | 21 228 kg |

| Installation components | Model   | Part no.    |
|-------------------------|---------|-------------|
| Block                   | B-1875  | PB3005002-A |
| Frame                   | AC-4024 | PF3000012   |
| Hinge                   | P-200   | PP3004010   |

**Cylinder capacity**



A = Body Length  
 B = Body height  
 C = Overhang

| Note:   | Body length | 11,5 ft  |             | 12,0 ft     |             | 13,0 ft     |             |
|---|-------------|--|-------------|-------------|-------------|-------------|-------------|
| Cylinder capacities based on 90% of the maximum working pressure. | Overhang    | 0 in   | 6 in        | 6 in        | 12 in       | 12 in       | 18 in       |
|   | Dump angle  | 47,2°  | 49,5°       | 47,2°       | 49,5°       | 45,1°       | 47,2°       |
|   | Body height | Capacities for different box length configuration in US tons at 2000 psi (at 2750 psi) |             |             |             |             |             |
| For reference only.<br>See www.mailhotindustries.com              | 36 in       | 14,8 (20,4)  | 16,3 (22,4) | 15,6 (21,5) | 17,3 (23,8) | 15,9 (21,9) | 17,6 (24,2) |
|   | 48 in       | 15,9 (21,9)  | 17,8 (24,5) | 16,9 (23,2) | 19,0 (26,2) | 17,1 (23,5) | 19,2 (26,4) |
|   | 60 in       | 17,2 (23,7)  | 19,6 (26,9) | 18,3 (25,2) | 21,1 (29,0) | 18,5 (25,4) | 21,1 (29,0) |

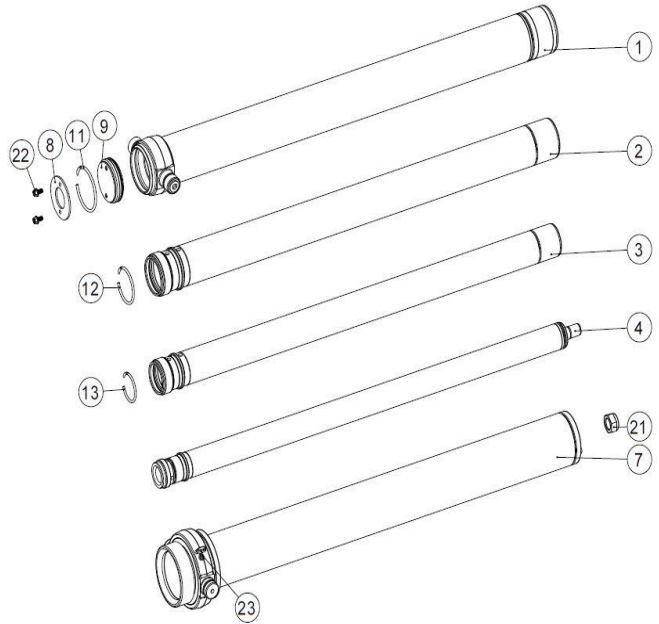
\* See product manual

Subject to change without notice, all rights reserved.

REV 0C

| Item | Part no. | Description |
|------|----------|-------------|
|------|----------|-------------|

|   |             |                     |
|---|-------------|---------------------|
| 1 | ROV051036-A | BASE TUBE Ø5.06     |
| 2 | RMG042258-A | SECTION Ø4-1/4      |
| 3 | RMG035257-A | SECTION Ø3-1/2      |
| 4 | RNV027074-A | LAST SECTION Ø2-3/4 |
| 7 | RK056170-A  | COVER TUBE ASSEMBLY |
| 8 | RFG046031   | END CAP Ø4-5/8      |
| 9 | RFG046032   | END CAP Ø4-5/8      |

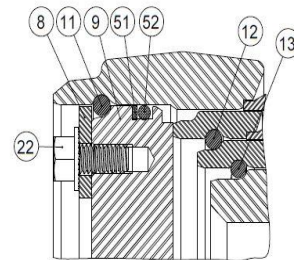


Snap ring kit Part no. : XB19G0423

| Item | Description      |
|------|------------------|
| 11   | SNAP RING Ø4-5/8 |
| 12   | SNAP RING Ø3-3/4 |
| 13   | SNAP RING Ø3     |

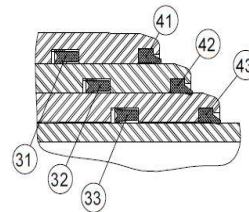
Hardware kit Part no. : ZX02G0423

| Item | Description                                     |
|------|---|
| 21   | STOVER NUT Ø1-1/4-12 NF GRADE C                 |
| 22   | SERRATED FLANGE HHS GRADE 5 Ø3/8-16 NC X 3/4 LG |
| 23   | GREASE FITTING STRAIGHT 1/8 NPT                 |



Seal kit Part no. : UI47G0423

| Item | Description                    |
|------|--------------------------------|
| 31   | U-CUP DZ Ø4-5/8 X Ø4-1/4 X 3/8 |
| 32   | U-CUP DZ Ø3-7/8 X Ø3-1/2 X 3/8 |
| 33   | U-CUP DZ Ø3-1/8 X Ø2-3/4 X 3/8 |
| 41   | WIPER DT Ø4-1/4                |
| 42   | WIPER DT Ø3-1/2                |
| 43   | WIPER DT Ø2-3/4                |
| 51   | BACK-UP RING Ø4-5/8 X Ø4-1/4   |
| 52   | O-RING Ø4-5/8 X Ø4-1/4         |



\* See product manual

Subject to change without notice, all rights reserved.

REV 0C