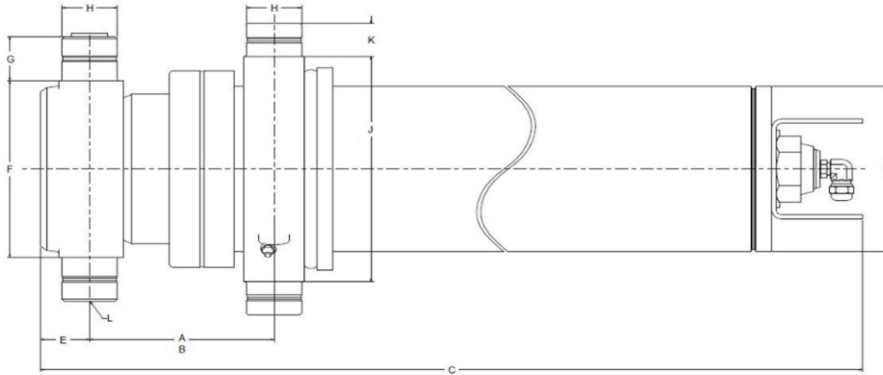


Technical information **Dimensions** **Imperial** **Metric**



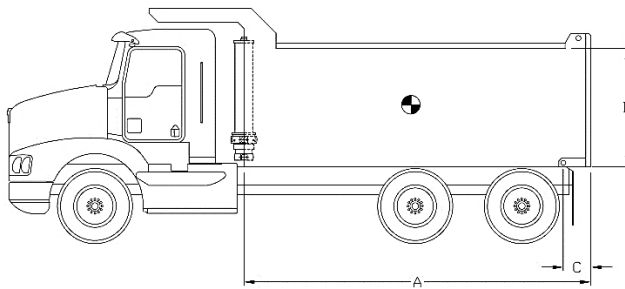
Dimensions	Imperial	Metric
A (stroke)	170.44 in	4 329 mm
B (closed)	7.50 in	191 mm
C	59.50 in	1 511 mm
D	7.50 in	191 mm
E	2.00 in	51 mm
F	8.00 in	203 mm
G	2.00 in	51 mm
H	2.25 in	57 mm
J	10.19 in	259 mm
K	1.50 in	38 mm
L	SAE-16	

Stage	Effective diameter		Effective area		Stroke	
1	6.063 in	154 mm	28.87 in ²	18 627 mm ²	42.25 in	1 073 mm
2	5.250 in	133 mm	21.65 in ²	13 966 mm ²	42.44 in	1 078 mm
3	4.500 in	114 mm	15.90 in ²	10 261 mm ²	42.69 in	1 084 mm
4	3.750 in	95 mm	11.04 in ²	7 126 mm ²	43.06 in	1 094 mm

Specifications	Imperial	Metric
Weight without hydraulic fluid	455 lb	207 kg
Hydraulic fluid volume	15.6 gal. (US)	59 l
Maximum working pressure	2 500 psi	172 bar
Maximum pump flow ext. (retract.)	40 gpm (7 gpm)	151 lpm (26 lpm)
Cylinder design limit capacity*	29.6 US tons	26 853 kg

Installation components	Model	Part no.
Block	B-2250	PB3005003-A
Frame	AC-4040	PF3000014
Hinge	P-200 PEL-T	PP3004010

Cylinder capacity



A = Body Length
 B = Body height
 C = Overhang

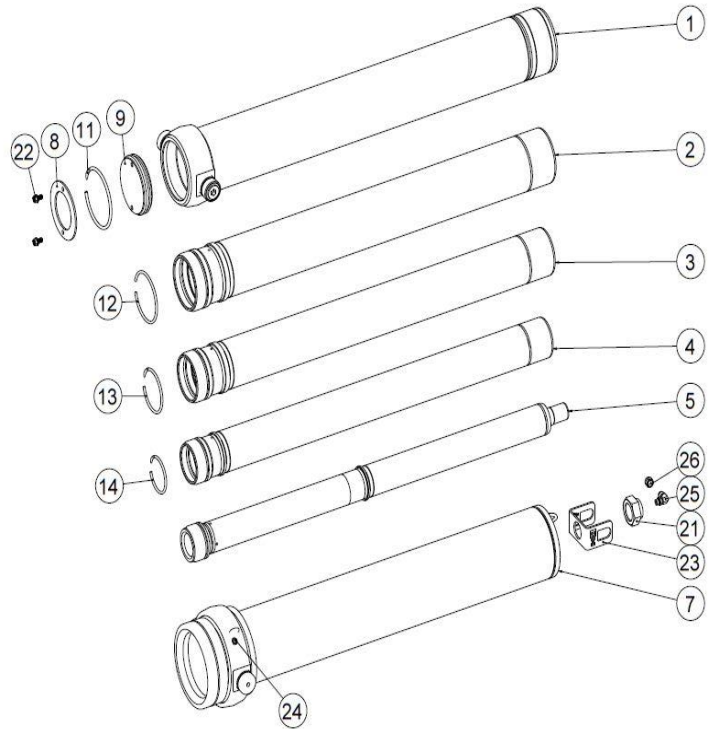
Note:	Body length	17.0 ft		18.0 ft		19.0 ft	
Cylinder capacities based on 90% of the maximum working pressure.	Overhang	0 in	6 in	6 in	12 in	6 in	12 in
	Dump angle	49.6°	51.2°	48.1°	49.6°	45.3°	46.6°
	Body height	Capacities for different box length configuration in US tons at 2000 psi (at 2500 psi)					
For reference only. See www.mailhotindustries.com	36 in	26.9 (33.6)	28.5 (35.6)	27.2 (34.0)	28.8 (36.0)	26.2 (32.8)	27.6 (34.5)
	48 in	28.3 (35.3)	30.2 (37.7)	28.6 (35.7)	30.4 (38.0)	27.3 (34.2)	28.9 (36.1)
	60 in	29.8 (37.3)	32.1 (40.1)	30.1 (37.6)	32.3 (40.3)	28.6 (35.7)	30.3 (37.9)

* See product manual

Subject to change without notice, all rights reserved.

Item	Part no.	Description
------	----------	-------------

1	ROVD061018-A	BASE TUBE Ø6.7
2	RMGD057173-A	SECTION Ø5.7
3	RMGD050172-A	SECTION Ø5
4	RMGD042171-A	SECTION Ø4.25
5	RNVD032042-A	LAST SECTION Ø3.25
7	RK075150-A	COVER TUBE ASSEMBLY
8	RFG062008	END CAP Ø6.25
9	RFG062009	END CAP Ø6.25



Snap ring kit Part no. : XB19G0574

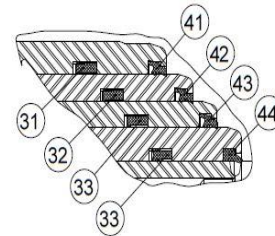
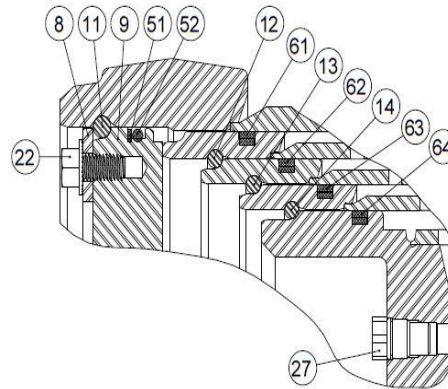
Item	Description
11	SNAP RING Ø6-3/16
12	SNAP RING Ø5-1/4
13	SNAP RING Ø4-1/2
14	SNAP RING Ø3-3/4

Hardware kit Part no. : ZX02G0574D

Item	Description
21	STOVER NUT Ø1-3/4-12 NF GRADE C
22	SERRATED FLANGE HSS GRADE 5 3/8-16 UNC X 3/4 LG
23	PROTECTOR
24	GREASE FITTING STRAIGHT 1/8 NPT
25	ELBOW ADAPTER 90° SAE ORB TO 37° FLARE
26	CAP NUT SAE 37° FLARE Ø3/4-16
27	RELIEF VALVE PRESET 3200 PSI (3000-3500 PSI)

Seal kit Part no. : UI47G0574D

Item	Description
31	U-CUP Ø6.170 X Ø5.795 X 3/8
32	U-CUP Ø5-3/8 X Ø5 X 3/8
33	U-CUP Ø4-5/8 X Ø4-1/4 X 3/8
34	U-CUP Ø3-7/8 X 3-1/2 X 3/8
41	WIPER Ø5.795
42	WIPER Ø5
43	WIPER Ø4-1/4
44	WIPER Ø3-1/2
51	BACKUP RING Ø6-1/8 X Ø5-3/4
52	O-RING Ø6-1/8 X Ø5-3/4
61	PISTON RING 6-1/16
62	PISTON RING 5-1/4
63	PISTON RING 4-1/2
64	PISTON RING 3-3/4



* See product manual

Subject to change without notice, all rights reserved.