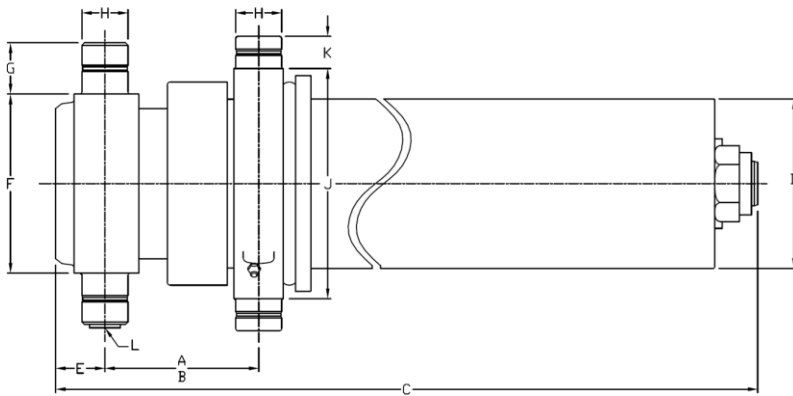


Technical information



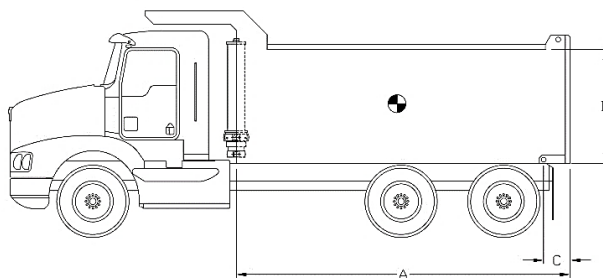
| Dimensions | Imperial | Metric |
|------------|-----------|----------|
| A (stroke) | 194,06 in | 4 929 mm |
| B (closed) | 9,63 in | 244 mm |
| C | 64,38 in | 1 635 mm |
| D | 8,50 in | 216 mm |
| E | 2,50 in | 64 mm |
| F | 9,00 in | 229 mm |
| G | 2,00 in | 51 mm |
| H | 2,25 in | 57 mm |
| J | 12,00 in | 305 mm |
| K | 1,50 in | 38 mm |
| L | SAE-16 | |

| Stage | Effective diameter | | Effective area | | Stroke | |
|-------|--------------------|--------|-----------------------|------------------------|----------|----------|
| 1 | 6,673 in | 169 mm | 34,97 in ² | 22 563 mm ² | 48,50 in | 1 232 mm |
| 2 | 5,793 in | 147 mm | 26,36 in ² | 17 005 mm ² | 48,56 in | 1 234 mm |
| 3 | 5,000 in | 127 mm | 19,64 in ² | 12 668 mm ² | 49,00 in | 1 245 mm |
| 4 | 4,250 in | 108 mm | 14,19 in ² | 9 152 mm ² | 48,00 in | 1 219 mm |

| Specifications | Imperial | Metric |
|---------------------------------|----------------|-----------|
| Weight without hydraulic fluid | 648 lb | 295 kg |
| Hydraulic fluid volume | 22,5 gal. (US) | 85 l |
| Maximum working pressure | 2 750 psi | 190 bar |
| Maximum pump flow | 50 gpm | 189 lpm |
| Cylinder design limit capacity* | 37,1 US tons | 33 657 kg |

| Installation components | Model | Part no. |
|-------------------------|-------------|-------------|
| Block | B-2250 | PB3005003-A |
| Frame | AC-4050 | PF3000015 |
| Hinge | P-250 PEL-T | PP3004012 |

Cylinder capacity



A = Body Length
 B = Body height
 C = Overhang

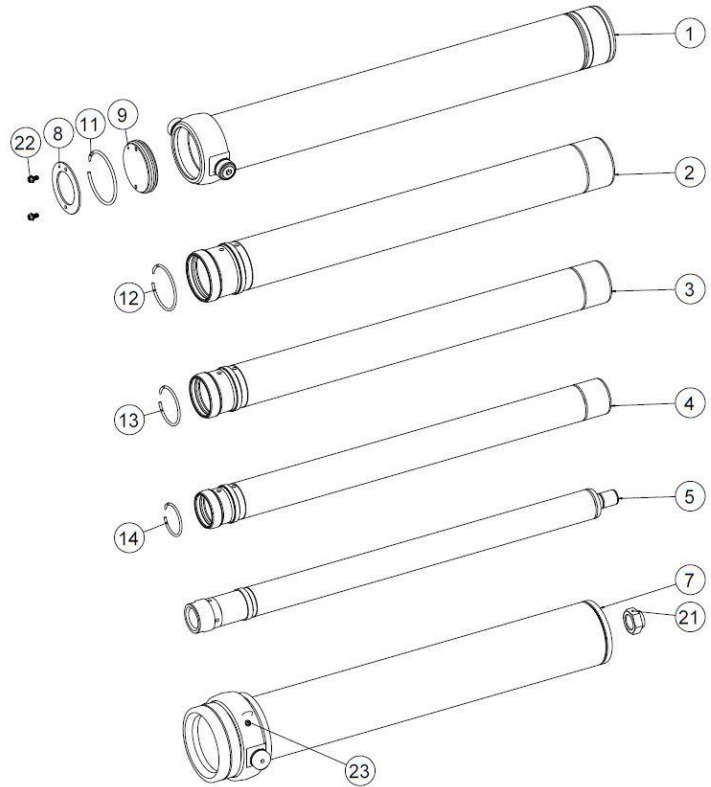
| Note: | Body length | 20,0 ft | | 21,0 ft | | 22,0 ft | |
|---|-------------|--|-------------|-------------|-------------|-------------|-------------|
| Cylinder capacities based on 90% of the maximum working pressure. | Overhang | 6 in | 12 in | 6 in | 12 in | 12 in | 18 in |
| | Dump angle | 49,2° | 50,6° | 46,7° | 47,9° | 45,5° | 46,7° |
| | Body height | Capacities for different box length configuration in US tons at 2000 psi (at 2750 psi) | | | | | |
| For reference only. See www.mailhotindustries.com | 36 in | 34,8 (47,9) | 36,6 (50,4) | 33,7 (46,3) | 35,2 (48,4) | 34,1 (46,9) | 35,7 (49,0) |
| | 48 in | 36,4 (50,1) | 38,5 (53,0) | 35,0 (48,2) | 36,8 (50,6) | 35,4 (48,7) | 37,2 (51,1) |
| | 60 in | 38,2 (52,5) | 40,6 (55,8) | 36,5 (50,2) | 38,5 (52,9) | 36,9 (50,7) | 38,8 (53,4) |

* See product manual

Subject to change without notice, all rights reserved.

REV 7C

| Item | Part no. | Description |
|------|-------------|---------------------|
| 1 | ROV077025-A | BASE TUBE Ø7,7 |
| 2 | RMG067155-A | SECTION Ø6,7 |
| 3 | RMG057154-A | SECTION Ø5,7 |
| 4 | RMG050153-A | SECTION Ø5 |
| 5 | RNV042033-A | LAST SECTION Ø4,25 |
| 7 | RK085111-A | COVER TUBE ASSEMBLY |
| 8 | RFG071017 | END CAP Ø7-1/8 |
| 9 | RFG071016 | END CAP Ø7-1/8 |

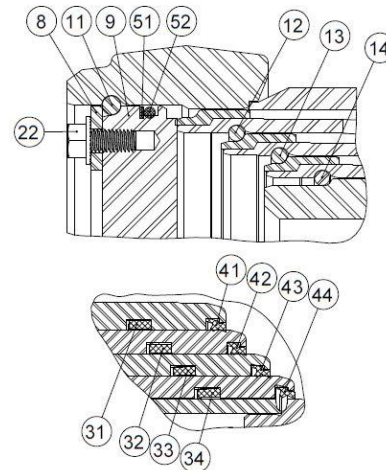


Snap ring kit Part no. : XB19G0674

| Item | Description |
|------|-------------------|
| 11 | SNAP RING Ø7-1/8 |
| 12 | SNAP RING Ø6-1/16 |
| 13 | SNAP RING Ø5-1/4 |
| 14 | SNAP RING Ø4-1/2 |

Hardware kit Part no. : ZX02G0674

| Item | Description |
|------|---|
| 21 | STOVER NUT Ø2-12 NF GRADE C |
| 22 | SERRATED FLANGE HHS GRADE 5 Ø1/2-13 NC X 1 LG |
| 23 | GREASE FITTING STRAIGHT 1/8 NPT |



Seal kit Part no. : UI47G0674

| Item | Description |
|------|------------------------------|
| 31 | U-CUP Ø7.175 X Ø6.675 X 9/16 |
| 32 | U-CUP Ø6.170 X Ø5.795 X 3/8 |
| 33 | U-CUP Ø5-3/8 X Ø5 X 3/8 |
| 34 | U-CUP Ø4-5/8 X Ø4-1/4 X 3/8 |
| 41 | WIPER Ø6.675 |
| 42 | WIPER Ø5.795 |
| 43 | WIPER Ø5 |
| 44 | WIPER Ø4-1/4 |
| 51 | BACKUP RING Ø7-1/8 X Ø6-3/4 |
| 52 | O-RING Ø7-1/8 X Ø6-3/4 |

* See product manual

Subject to change without notice, all rights reserved.

REV 7C