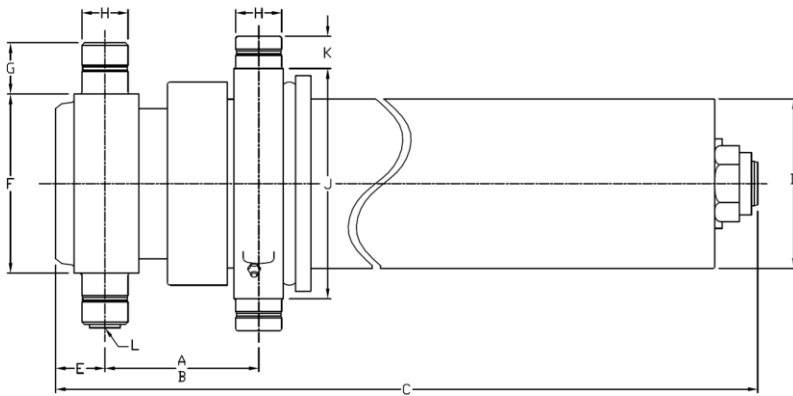


Technical information

Dimensions

Imperial

Metric



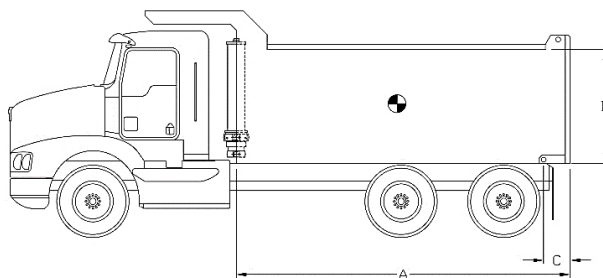
A (stroke)	202,88 in	5 153 mm
B (closed)	7,63 in	194 mm
C	57,88 in	1 470 mm
D	7,50 in	191 mm
E	2,00 in	51 mm
F	8,00 in	203 mm
G	2,00 in	51 mm
H	2,25 in	57 mm
J	10,19 in	259 mm
K	1,50 in	38 mm
L	SAE-16	

Stage	Effective diameter		Effective area		Stroke	
1	5,795 in	147 mm	26,38 in ²	17 016 mm ²	42,88 in	1 089 mm
2	5,000 in	127 mm	19,64 in ²	12 668 mm ²	43,25 in	1 099 mm
3	4,250 in	108 mm	14,19 in ²	9 152 mm ²	43,44 in	1 103 mm
4	3,500 in	89 mm	9,62 in ²	6 207 mm ²	43,81 in	1 113 mm
5	2,750 in	70 mm	5,94 in ²	3 832 mm ²	29,50 in	749 mm

Specifications	Imperial	Metric
Weight without hydraulic fluid	485 lb	220 kg
Hydraulic fluid volume	15,5 gal. (US)	59 l
Maximum working pressure	23 psi	2 bar
Maximum pump flow	25 gpm	95 lpm
Cylinder design limit capacity*	23,4 US tons	21 228 kg

Installation components	Model	Part no.
Block	B-2250	PB3005003-A
Frame	AC-4040	PF3000014
Hinge	P-200 PEL-T	PP3004010

Cylinder capacity



A = Body Length
 B = Body height
 C = Overhang

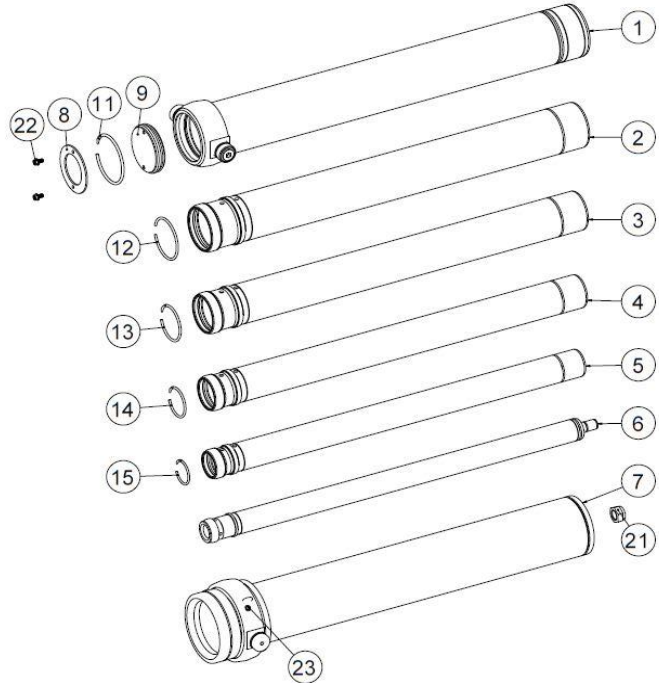
Note:	Body length	20,0 ft		21,5 ft		23,0 ft	
Cylinder capacities based on 90% of the maximum working pressure.	Overhang	0 in	6 in	6 in	12 in	12 in	18 in
	Dump angle	50,2°	51,6°	47,6°	48,9°	45,3°	46,4°
	Body height	Capacities for different box length configuration in US tons at 2000 psi (at 22,5 psi)					
For reference only. See www.mailhotindustries.com	36 in	15,6 (0,2)	16,5 (0,2)	15,3 (0,2)	16,1 (0,2)	15,2 (0,2)	15,9 (0,2)
	48 in	16,4 (0,2)	17,5 (0,2)	16,1 (0,2)	17,0 (0,2)	15,8 (0,2)	16,7 (0,2)
	60 in	17,4 (0,2)	18,7 (0,2)	16,9 (0,2)	18,0 (0,2)	16,6 (0,2)	17,5 (0,2)

* See product manual

Subject to change without notice, all rights reserved.

Item	Part no.	Description
------	----------	-------------

1	ROV067027-A	BASE TUBE Ø6.7
2	RMG057195-A	SECTION Ø5.7
3	RMG050152-A	SECTION Ø5
4	RMG042151-A	SECTION Ø4.25
5	RMG035133-A	SECTION Ø3.5
6	RNV027046-A	LAST SECTION Ø2.75
7	RK075163-A	COVER TUBE ASSEMBLY
8	RFG062008	END CAP Ø6.25
9	RFG062009	END CAP Ø6.25



Snap ring kit Part no. : XB19G0575

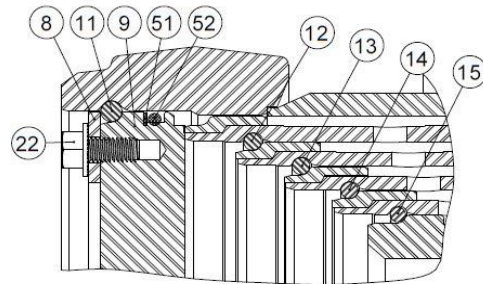
Item	Description
------	-------------

11	SNAP RING Ø6-3/16
12	SNAP RING Ø5-1/4
13	SNAP RING Ø4-1/2
14	SNAP RING Ø3-3/4
15	SNAP RING Ø3

Hardware kit Part no. : ZX02G0575

Item	Description
------	-------------

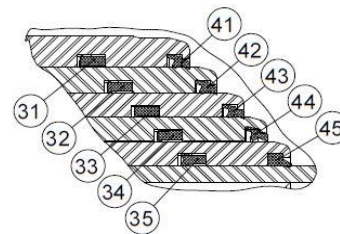
21	STOVER NUT Ø1-3/4-12 NF GRADE C
22	SERRATED FLANGE HHS GRADE 5 Ø3/8-16 NC X 3/4 LG
23	GREASE FITTING STRAIGHT 1/8 NPT



Seal kit Part no. : UI47G0575

Item	Description
------	-------------

31	U-CUP Ø6.170 X Ø5.795 X 3/8
32	U-CUP Ø5-3/8 X Ø5 X 3/8
33	U-CUP Ø4-5/8 X Ø4-1/4 X 3/8
34	U-CUP Ø3-7/8 X 3-1/2 X 3/8
35	U-CUP DZ Ø3-1/8 X 2-3/4 X 3/8
41	WIPER Ø5.795
42	WIPER Ø5
43	WIPER Ø4-1/4
44	WIPER Ø3-1/2
45	WIPER DT Ø2-3/4
51	BACKUP RING Ø6-1/8 X Ø5-3/4
52	O-RING Ø6-1/8 X Ø5-3/4



* See product manual

Subject to change without notice, all rights reserved.

REV 1C