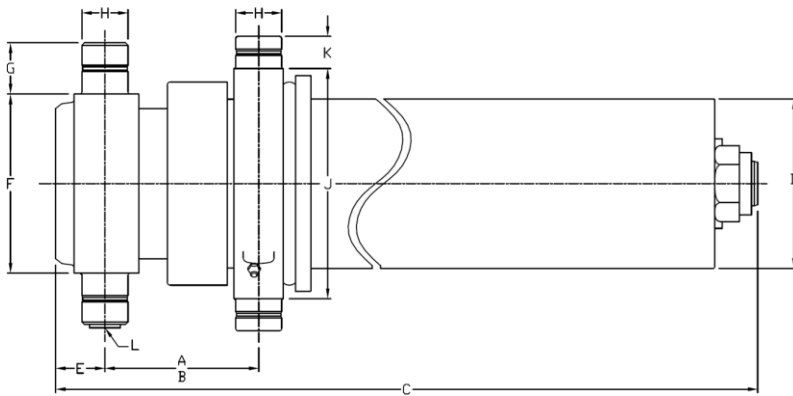


Technical information



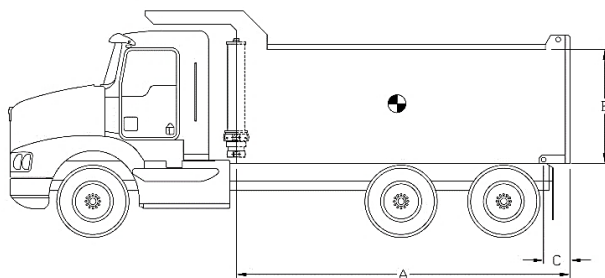
| Dimensions | Imperial | Metric |
|------------|-----------|----------|
| A (stroke) | 160,00 in | 4 064 mm |
| B (closed) | 5,50 in | 140 mm |
| C | 57,25 in | 1 454 mm |
| D | 6,63 in | 168 mm |
| E | 2,00 in | 51 mm |
| F | 7,00 in | 178 mm |
| G | 2,00 in | 51 mm |
| H | 1,88 in | 48 mm |
| J | 9,00 in | 229 mm |
| K | 1,25 in | 32 mm |
| L | SAE-12 | |

| Stage | Effective diameter | | Effective area | | Stroke | |
|-------|--------------------|--------|-----------------------|------------------------|----------|----------|
| 1 | 5,000 in | 127 mm | 19,64 in ² | 12 668 mm ² | 43,25 in | 1 099 mm |
| 2 | 4,250 in | 108 mm | 14,19 in ² | 9 152 mm ² | 43,44 in | 1 103 mm |
| 3 | 3,500 in | 89 mm | 9,62 in ² | 6 207 mm ² | 43,81 in | 1 113 mm |
| 4 | 2,750 in | 70 mm | 5,94 in ² | 3 832 mm ² | 29,50 in | 749 mm |

| Specifications | Imperial | Metric |
|---------------------------------|----------------|-----------|
| Weight without hydraulic fluid | 362 lb | 165 kg |
| Hydraulic fluid volume | 10,2 gal. (US) | 39 l |
| Maximum working pressure | 2 750 psi | 190 bar |
| Maximum pump flow | 25 gpm | 95 lpm |
| Cylinder design limit capacity* | 23,4 US tons | 21 228 kg |

| Installation components | Model | Part no. |
|-------------------------|-------------|-------------|
| Block | B-1875 | PB3005002-A |
| Frame | AC-4030 | PF3000013 |
| Hinge | P-200 PEL-T | PP3004010 |

Cylinder capacity



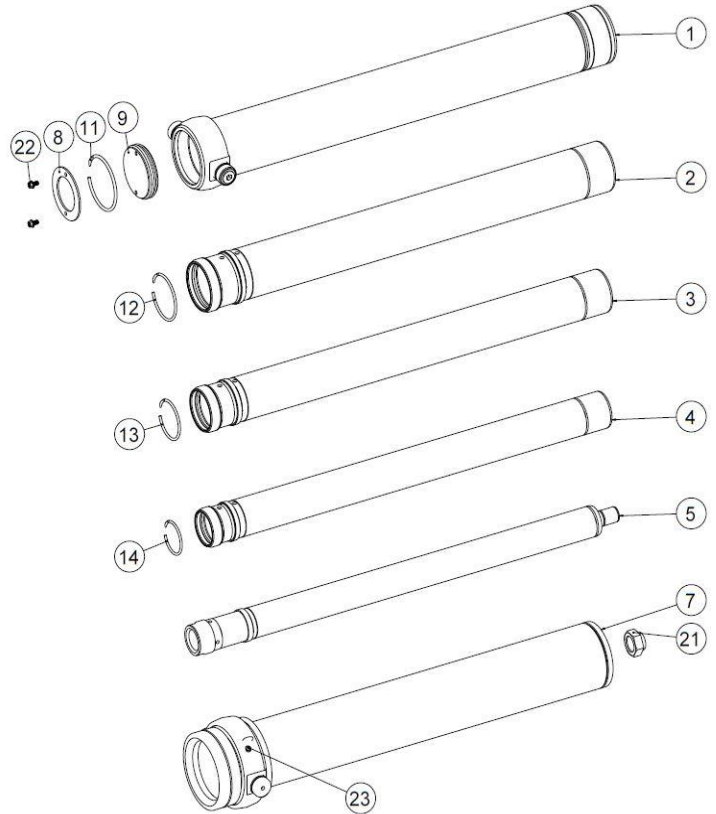
A = Body Length
B = Body height
C = Overhang

| Note: | Body length | 16,0 ft | | 17,0 ft | | 18,0 ft | |
|-------------------------------------------------------------------|-------------|----------------------------------------------------------------------------------------|-------------|-------------|-------------|-------------|-------------|
| Cylinder capacities based on 90% of the maximum working pressure. | Overhang | 0 in | 6 in | 6 in | 12 in | 12 in | 18 in |
| | Dump angle | 49,4° | 51,1° | 47,8° | 49,4° | 46,3° | 47,8° |
| | Body height | Capacities for different box length configuration in US tons at 2000 psi (at 2750 psi) | | | | | |
| For reference only. See www.mailhotindustries.com | 36 in | 15,4 (21,2) | 16,6 (22,8) | 15,6 (21,4) | 16,7 (22,9) | 15,7 (21,6) | 16,8 (23,1) |
| | 48 in | 16,5 (22,6) | 17,8 (24,5) | 16,5 (22,8) | 17,9 (24,6) | 16,7 (22,9) | 17,9 (24,7) |
| | 60 in | 17,6 (24,2) | 19,3 (26,5) | 17,6 (24,3) | 19,2 (26,5) | 17,7 (24,4) | 19,2 (26,5) |

* See product manual

Subject to change without notice, all rights reserved.

| Item | Part no. | Description |
|------|-------------|----------------------|
| 1 | ROV059010-A | BASE TUBE Ø5.9 |
| 2 | RMG050152-A | SECTION Ø5 |
| 3 | RMG042151-A | SECTION Ø4-1/4 |
| 4 | RMG035133-A | SECTION Ø3-1/2 |
| 5 | RNV027046-A | LAST SECTION Ø2-3/4 |
| 7 | RK066123-A | COVER TUBE ASSEMBLED |
| 8 | RFG053006 | END CAP Ø5-3/8 |
| 9 | RFG053007 | END CAP Ø5-3/8 |



Snap ring kit Part no. : XB19G0504

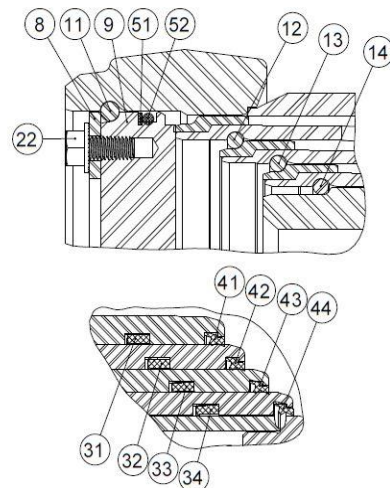
| Item | Description |
|------|------------------|
| 11 | SNAP RING Ø5-3/8 |
| 12 | SNAP RING Ø4-1/2 |
| 13 | SNAP RING Ø3-3/4 |
| 14 | SNAP RING Ø3 |

Hardware kit Part no. : ZX02G0504

| Item | Description |
|------|-------------------------------------------------|
| 21 | STOVER NUT 1-1/4-12 UN GR.C |
| 22 | SERRATED FLANGE HHS GRADE 5 Ø3/8-16 NC X 3/4 LG |
| 23 | GREASE FITTING STRAIGHT 1/8 NPT |

Seal kit Part no. : UI47G0504

| Item | Description |
|------|-----------------------------|
| 31 | U-CUP Ø5-3/8 X Ø5 X 3/8 |
| 32 | U-CUP Ø4-5/8 X Ø4-1/4 X 3/8 |
| 33 | U-CUP Ø3-7/8 X Ø3-1/2 X 3/8 |
| 34 | U-CUP Ø3-1/8 X Ø2-3/4 X 3/8 |
| 41 | WIPER Ø5 |
| 42 | WIPER Ø4-1/4 |
| 43 | WIPER Ø3-1/2 |
| 44 | WIPER Ø2-3/4 |
| 51 | BACK UP RING Ø5-3/8 X Ø5 |
| 52 | O-RING Ø5-3/8 X Ø5 |



* See product manual

Subject to change without notice, all rights reserved.

REV 2D