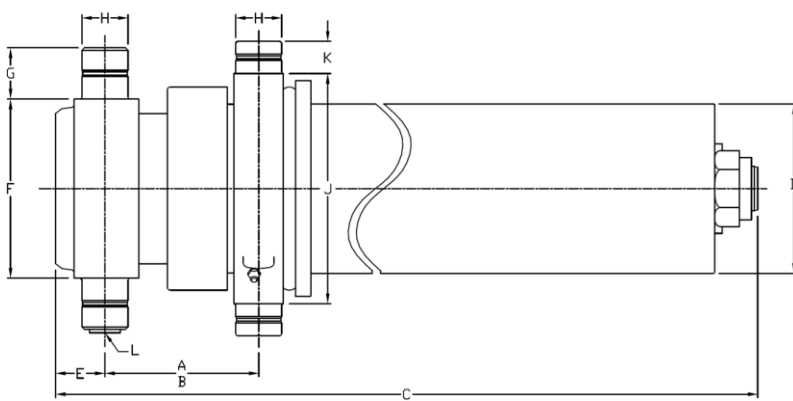


**Technical information**



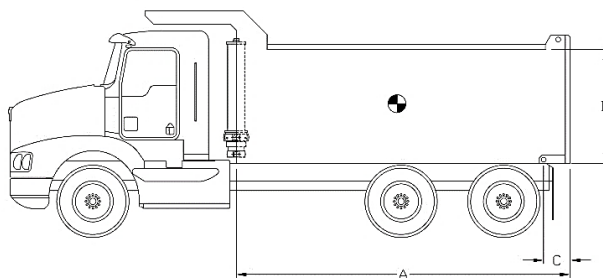
Dimensions	Imperial	Metric
A (stroke)	153,06 in	3 888 mm
B (closed)	5,50 in	140 mm
C	57,25 in	1 454 mm
D	6,63 in	168 mm
E	2,00 in	51 mm
F	7,00 in	178 mm
G	2,00 in	51 mm
H	1,88 in	48 mm
J	9,00 in	229 mm
K	1,25 in	32 mm
L	SAE-12	

Stage	Effective diameter		Effective area		Stroke	
1	5,000 in	127 mm	19,64 in <sup>2</sup>	12 668 mm <sup>2</sup>	43,25 in	1 099 mm
2	4,250 in	108 mm	14,19 in <sup>2</sup>	9 152 mm <sup>2</sup>	43,44 in	1 103 mm
3	3,500 in	89 mm	9,62 in <sup>2</sup>	6 207 mm <sup>2</sup>	43,81 in	1 113 mm
4	2,750 in	70 mm	5,94 in <sup>2</sup>	3 832 mm <sup>2</sup>	22,56 in	573 mm

Specifications	Imperial	Metric
Weight without hydraulic fluid	361 lb	164 kg
Hydraulic fluid volume	10,0 gal. (US)	38 l
Maximum working pressure	2 750 psi	190 bar
Maximum pump flow	25 gpm	95 lpm
Cylinder design limit capacity*	23,5 US tons	21 319 kg

Installation components	Model	Part no.
Block	B-1875	PB3005002-A
Frame	AC-4030	PF3000013
Hinge	P-200 PEL-T	PP3004010

**Cylinder capacity**



A = Body Length  
 B = Body height  
 C = Overhang

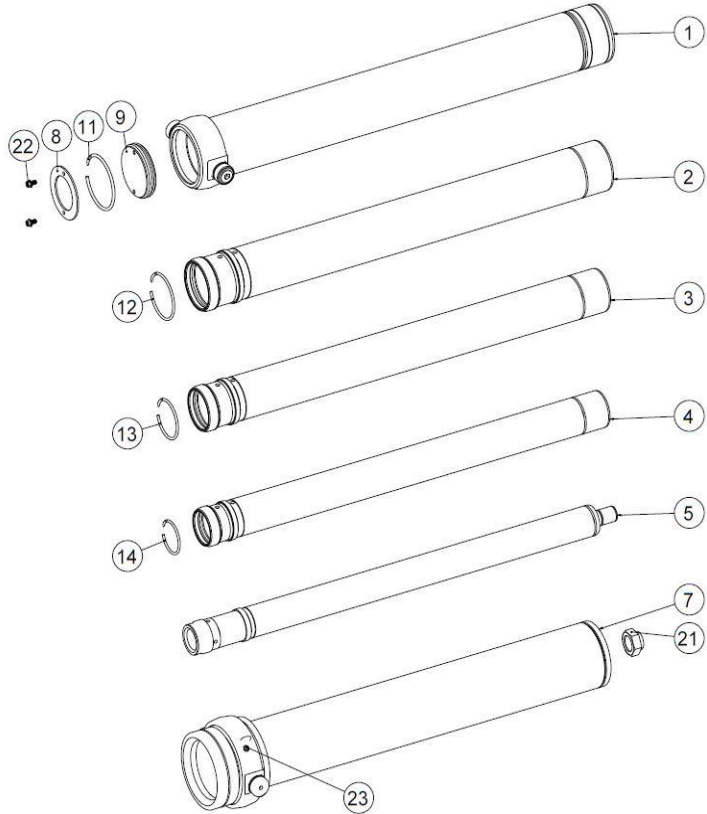
Note:	Body length	15,0 ft		16,0 ft		17,0 ft	
Cylinder capacities based on 90% of the maximum working pressure.	Overhang	0 in	6 in	6 in	12 in	12 in	18 in
	Dump angle	50,5°	52,4°	48,8°	50,5°	47,1°	48,8°
	Body height	Capacities for different box length configuration in US tons at 2000 psi (at 2750 psi)					
For reference only. See www.mailhotindustries.com	36 in	16,5 (22,7)	18,0 (24,7)	16,6 (22,8)	18,0 (24,7)	16,7 (22,9)	18,0 (24,8)
	48 in	17,8 (24,5)	19,7 (27,1)	17,8 (24,5)	19,6 (26,9)	17,9 (24,6)	19,5 (26,8)
	60 in	19,4 (26,7)	21,8 (29,9)	19,3 (26,5)	21,5 (29,5)	19,2 (26,5)	21,3 (29,3)

\* See product manual

Subject to change without notice, all rights reserved.

REV 2C

Item	Part no.	Description
1	ROV059010-A	BASE TUBE Ø5.9
2	RMG050152-A	SECTION Ø5
3	RMG042151-A	SECTION Ø4-1/4
4	RMG035133-A	SECTION Ø3-1/2
5	RNV027047-A	LAST SECTION Ø2-3/4
7	RK066123-A	COVER TUBE ASSEMBLED
8	RFG053006	END CAP Ø5-3/8
9	RFG053007	END CAP Ø5-3/8



Snap ring kit Part no. : XB19G0504

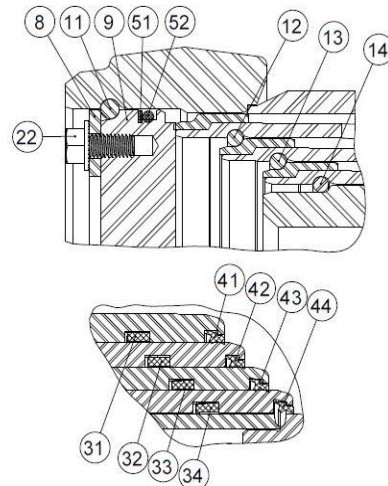
Item	Description
11	SNAP RING Ø5-3/8
12	SNAP RING Ø4-1/2
13	SNAP RING Ø3-3/4
14	SNAP RING Ø3

Hardware kit Part no. : ZX02G0504

Item	Description
21	STOVER NUT 1-1/4-12 UN GR.C
22	SERRATED FLANGE HHS GRADE 5 Ø3/8-16 NC X 3/4 LG
23	GREASE FITTING STRAIGHT 1/8 NPT

Seal kit Part no. : UI47G0504

Item	Description
31	U-CUP Ø5-3/8 X Ø5 X 3/8
32	U-CUP Ø4-5/8 X Ø4-1/4 X 3/8
33	U-CUP Ø3-7/8 X Ø3-1/2 X 3/8
34	U-CUP Ø3-1/8 X Ø2-3/4 X 3/8
41	WIPER Ø5
42	WIPER Ø4-1/4
43	WIPER Ø3-1/2
44	WIPER Ø2-3/4
51	BACK UP RING Ø5-3/8 X Ø5
52	O-RING Ø5-3/8 X Ø5



\* See product manual

Subject to change without notice, all rights reserved.